

CATALOGUE

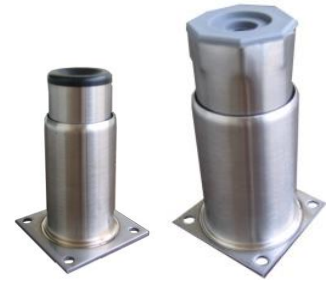
ADJUSTABLE FEET

PRODUCTION



ADJUSTABLE FOOT

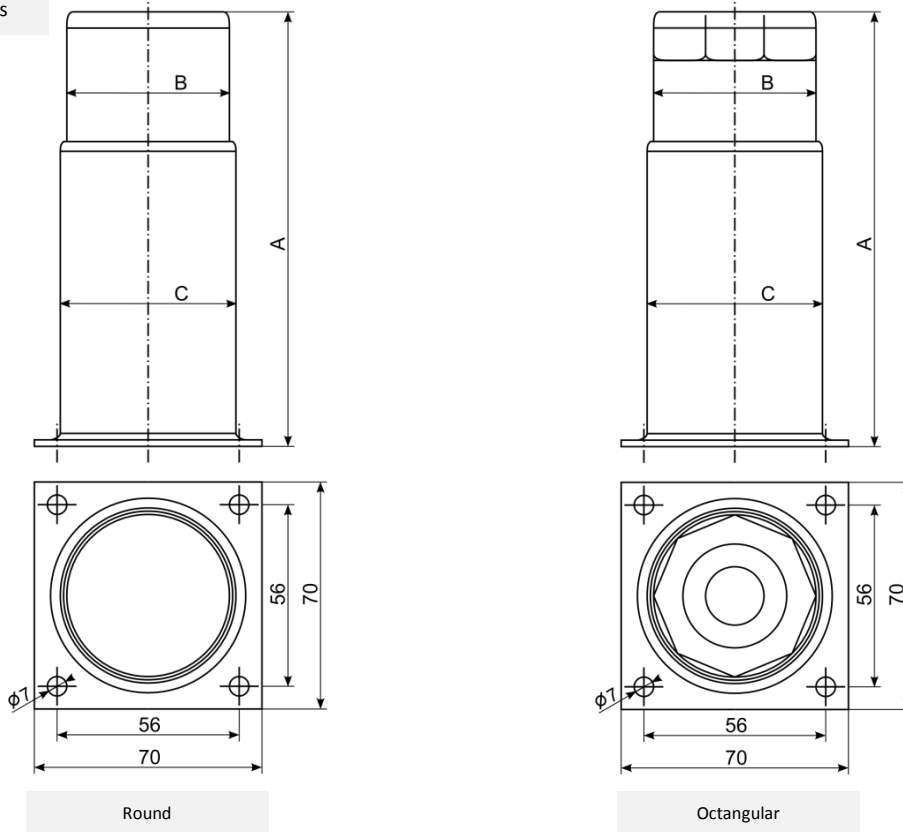
- Made of stainless steel AISI 304
- Adjustable height
- Outside finish: Scotch-brite
- Plate: with or without holes (L, BL)
- Foot shape: round or octangular



TYPES

Type	General dimension	A Min - max adjustment	Plate Dimension	B C	Weight
401000	Ø40, H-100, round	90 – 125 mm	70x70 mm	Ø42 mm	0,234 kg
401500	Ø40, H-150, round	130 – 180 mm	70x70 mm	Ø48,5 mm	0,278 kg
501258	Ø50, H-125, octangular	115 – 160 mm	70x70 mm	Ø49,5 mm	0,320 kg
501250	Ø50, H-125, round			Ø56 mm	
501500	Ø50, H-150, round	125 – 175 mm	70x70 mm	Ø49,5 mm	0,320 kg
501508	Ø50, H-150, octangular			Ø56 mm	
502000	Ø50, H-200, round	155 – 205 mm	70x70 mm	Ø49,5 mm	0,342 kg
502008	Ø50, H-200, octangular			Ø56 mm	

L – with holes
BL – without holes



ADJUSTABLE FOOT

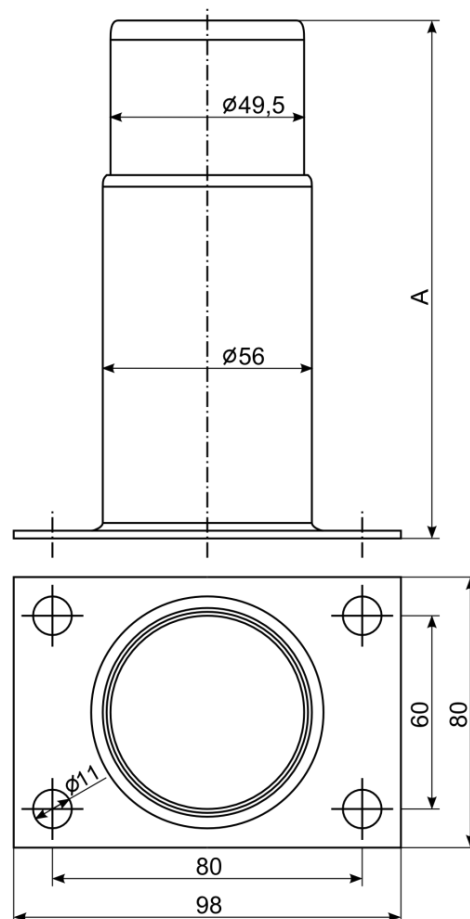
- Made of stainless steel AISI 304
- Adjustable height
- Outside finish: Scotch-brite
- Plate: with or without holes (L, BL)
- Foot shape: round



TYPES

Type	General dimension	A Min - max adjustment	Plate Dimension	Weight
501500-A	Ø50, H-150, round	125 – 175 mm	98x80mm	0,319 kg
502000-A	Ø50, H-200, round	155 – 205 mm	98x80mm	0,342 kg

A – Rectangular plate
L – With holes
BL – Without holes



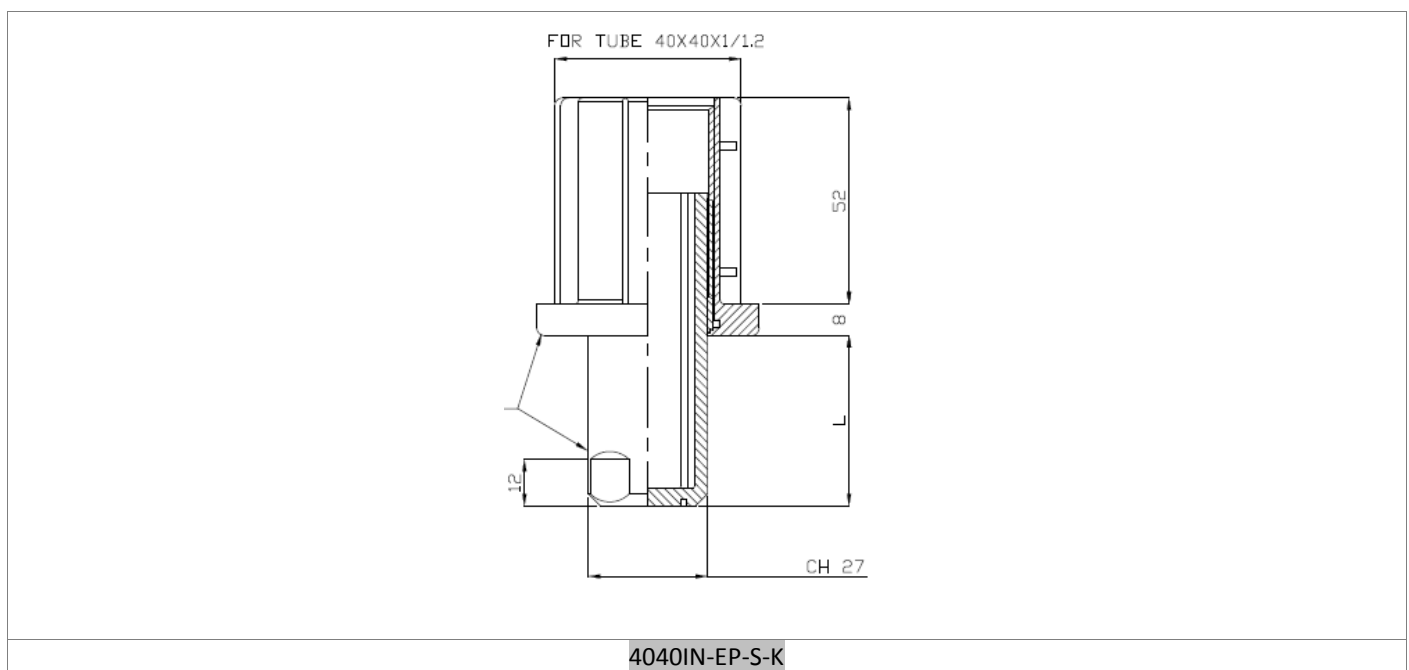
ADJUSTABLE FOOT FOR SQUARE TUBE 40x40

- Made of stainless steel AISI 304
- Adjustable height
- Outside finish: Scotch-brite
- Inside: 30% glass fiber
- Colour: grey



TYPE

Type	Tube dimension	Min - max adjustment	Max weight capacity	Weight
4040IN-EP-S-K	40x40x1/1,2 mm	L= 17 – 45mm		



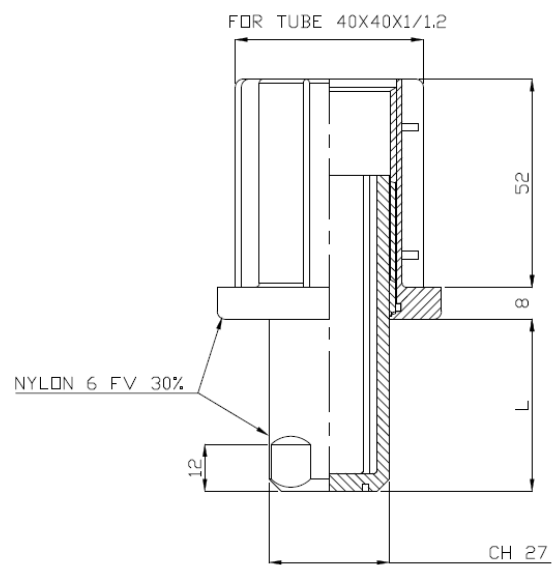
ADJUSTABLE FOOT FOR SQUARE TUBE 40x40

- Made of polyproylene
- Inside: 30% glass fiber
- Adjustable height



TYPE

Type	Tube dimension	Min - max adjustment	Max weight capacity	Weight
4040PVC-EP-S-K	40x40x1-1,2mm	L=20 - 43 mm		



4040PVC-EP-S-K

ADJUSTABLE FOOT FOR SQUARE TUBE 30x30

- Made of polypropylene
- Adjustable height
- Grey colour



MODELI

Type	Tube dimension	Min - max adjustment	Max weight capacity	Weight
3030PVC-LI-S	30x30x 1,2-1,5mm	23 – 50 mm	90 kg	

PRICELIST / ADJUSTABLE FEET – PR

Type	Price €/pc	Page
TONI		
401000		2
401500		
501258		2
501250		
501500		2
501500-A		3
501508		2
502000		2
502000-A		3
502008		2
ADJUSTABLE FEET FOR TUBES		
4040IN-EP-S-K		4
4040PVC-EP-S-K		5
3030PVC-LI-S		6

A – rectangular plate
L – with holes
BL – without holes
O – round
8 – octangular
S – grey colour
Č – black colour

Valid from: 15.09.2011
 Version: 24022016

SALES TERMS

Delivery: EXW (Kamnik, Slovenia), packing included

Catalogue valid from: 24.02.2016

MORE INFORMATION AND ORDERS

Toni Matjaž s.p., Gostinska oprema
Ljubljanska cesta 15, SI-1241 Kamnik, Slovenia

T: + 386 (0)1 831 22 46

F: + 386 (0)1 839 49 79

info@go-toni.si

www.go-toni.si

[Facebook page](#)